



xLogic SUPERRELAY



❖ *Powerful build-in HMI-display features....and more...!*

## ELC-18 Series

With Build in HMI features

- ❖ Customizable Start-up page / screen
- ❖ 4 line, 10 character backlight display
- ❖ Various values / settings and parameters can be viewed and adjusted directly through the HMI display.
- ❖ Various blocks' different parameters can be displayed on one screen / page simultaneously
- ❖ Randomly specify a specific page to display the IO status of the ELC 18 or expansion module attached
- ❖ Alarm page can record and display the exact alarm occurrence time
- ❖ Programmable up to 32 (user defined) screens / pages
- ❖ Optional metal mounting plate offers mounting to the rear of the control panel door.
- ❖ Unit Size allows for DIN-rail mounting together with commonly used breakers in building automation applications.
- ❖ Programming done as with any regular HMI (not just via key pad as most similar products).
- ❖ Retentive memory capability standard feature on the ELC-18 model.
- ❖ 10 BITS Analog input resolution.
- ❖ CE-approved



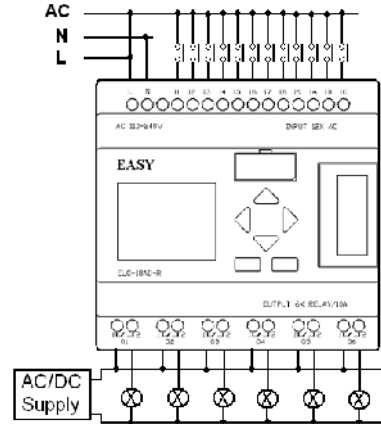
ELC-18AC-R

Power supply

- Rated voltage: AC 100-240V
- AC220V consumption: 3W
- Main voltage operation range: AC85-256V
- Allowable main frequency: 47-63Hz

Digital input

- Signal 0: AC 0-40V
- Signal 1: AC79-240V
- Input current: < 0.03mA
- Input current: >0.08mA



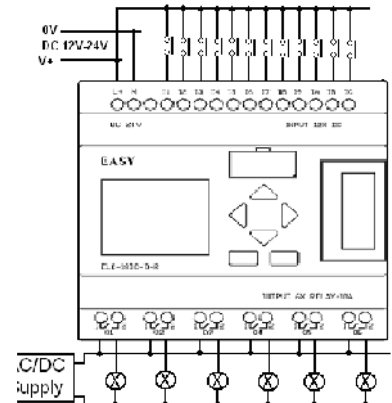
ELC-18DC-D-R

Power supply

- Rated voltage: DC12-24V
- (Output full-load) : Typical 3W
- Main voltage operation range: 10V-28V

Digital input

- Signal 0: DC 0-3V
- Signal 1: DC 8-24V
- Input current: < 1.0mA
- Input current: >1.5mA



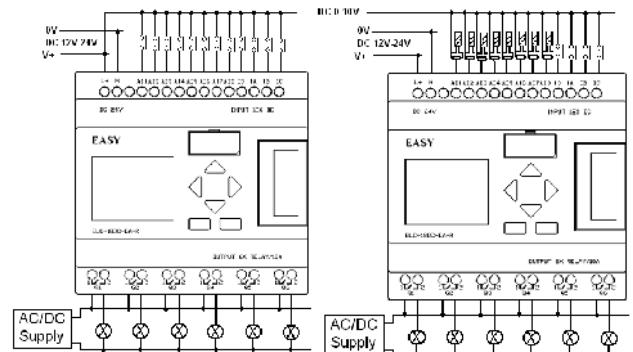
ELC-18DC-DA-R

Power supply

- Rated voltage: DC12-24V
- (Output full-load) : Typical 3W
- Main voltage operation range: 10V-28V

Digital input

- Signal 0: DC 0-3V
- Signal 1: DC 8-24V
- Input current: < 1.0mA
- Input current: >1.5mA



**ELC-18DC-D-TP**

**Power supply**

Rated voltage: DC12-24V

(Output full-load) : Typical 3W

Main voltage operation range: 10V-28V

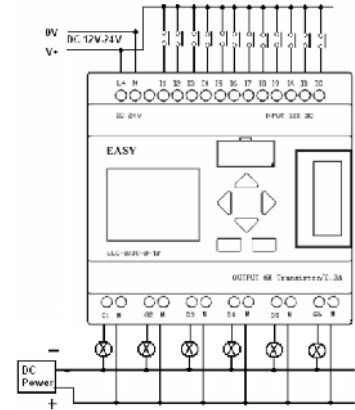
**Digital input**

Signal 0:DC 0-3V

Signal 1:DC 8-24V

Input current: < 1.0mA

Input current: >1.5mA



**ELC-18DC-DA-TP**

**Power supply**

Rated voltage: DC12-24V

(Output full-load) : Typical 3W

Main voltage operation range: 10V-28V

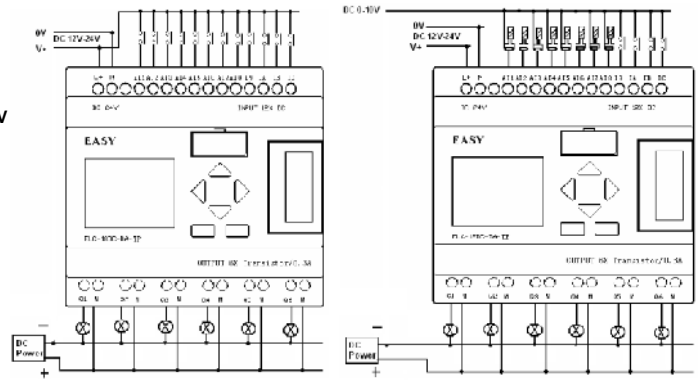
**Digital input**

Signal 0:DC 0-3V

Signal 1:DC 8-24V

Input current: < 1.0mA

Input current: >1.5mA



Consult our website

For the latest updated information

[www.isel.com.mx](http://www.isel.com.mx)