



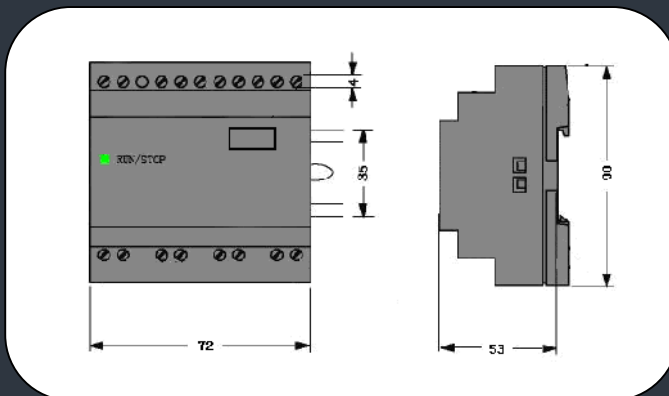
- ❖ Rugged, low cost model.
- ❖ DIN Rail or Wall mounted.
- ❖ Connect optional Ethernet module.
- ❖ Connect HMI / Operator Panel using Modbus.
- ❖ 1 route High Speed Counting on all units

ELC-12 Series

<u>MODEL</u>	<u>POWER SUPPLY</u>	<u>INPUTS</u>	<u>OUTPUTS</u>	<u>RTC</u>	<u>PWM</u>	<u>HSC</u>
ELC-12AC-R	AC 110~240V	8 Digital	4 Relays	Yes	No	Yes
ELC-12DC-D-R	DC12V – DC24V	8 Digital	4 Relays	Yes	No	Yes
ELC-12DC-D-TN	DC12V – DC24V	8 Digital	4 Transistors	Yes	1 Ch.	Yes
ELC-12DC-D-TP	DC12V – DC24V	8 Digital	4 Transistors	Yes	1 Ch.	Yes
ELC-12DC-DA-R	DC12V – DC24V	8 Digital / Analog	4 Relays	Yes	No	Yes
ELC-12DC-DA-TN	DC12V – DC24V	8 Digital / Analog	4 Transistors	Yes	1 Ch.	Yes
ELC-12DC-DA-TP	DC12V – DC24V	8 Digital / Analog	4 Transistors	Yes	1 Ch.	Yes

GENERAL SPECIFICATIONS

- Timers : 130
- Counters : 130
- Function Blocks : 130
- Operation temp. : 0°C-55°C
- Storage : -40°C-70°C
- Protection : IP20
- RTC accuracy : MAX ±5S/day
- RTC time intervals : 130
- RTC Backup at 25 °C: 72 hours
- Power-off retentivity : No
- Storage capacity : 128K
- Dimensions : 72*90*53 (Unit, mm)
- Certificate : CE
- Installation : DIN rail or screw for installation
- Expansion capacity : No



ELC-12AC-R

Power supply

Rated voltage: AC 110-240V
 AC220V consumption: 3W
 Main voltage operation range: AC85-256V
 Allowable main frequency: 47-63Hz

Digital input

Signal 0: AC 0-40V
 Signal 1: AC79-240V
 Input current: < 0.03mA
 Input current: >0.08mA

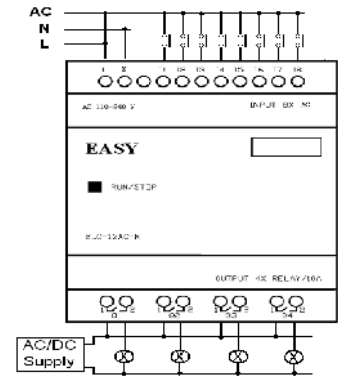
High-speed counting: I8 (Max.99k Hz)

Digital output

Output type: relay output
 continuous current max value: MAX. 10A

Switch frequency

Mechanism: 10Hz
 Resistor load: 2Hz
 Inductive load: 0.5Hz



ELC-12DC-D-R

Power supply

Rated voltage: DC12-24V
 (Output full-load) Typical 3W
 Main voltage operation range: 10V-28V

Digital input

Signal 0: DC 0-3V
 Signal 1: DC 8-24V
 Input current: < 1.0mA
 Input current: >1.5mA

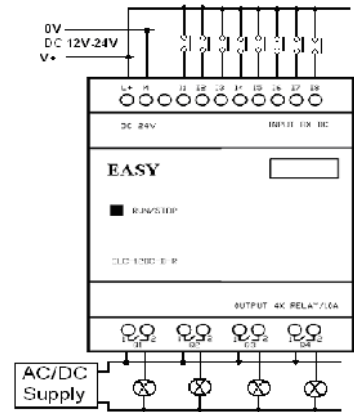
High-speed counting: I8 (Max.99k Hz)

Digital output

Output type: relay output
 continuous current max value: MAX. 10A

Switch frequency

Mechanism: 10Hz
 Resistor load: 2Hz
 Inductive load: 0.5Hz



ELC-12DC-DA-R

Power supply

Rated voltage: DC12-24V
 (Output full-load) : Typical 3W
 Main voltage operation range: 10V-28V

Digital input

Signal 0:DC 0-3V
 Signal 1:DC 8-24V
 Input current: < 1.0mA
 Input current: >1.5mA

High-speed counting: AI8 (Max.99k Hz)

Analog input

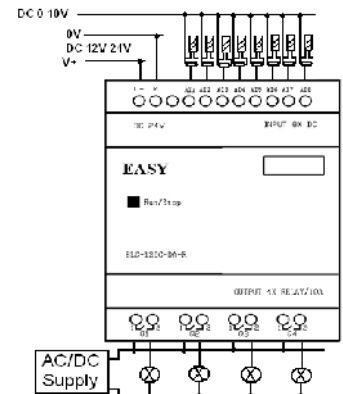
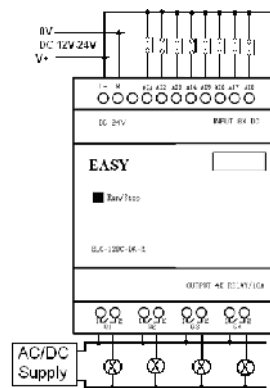
Signal: DC 0-10V

Digital output

Output type: relay output
 continuous current max value: MAX. 10A

Switch frequency

Mechanism: 10Hz
 Resistor load: 2Hz
 Inductive load: 0.5Hz



ELC-12DC-D-TP

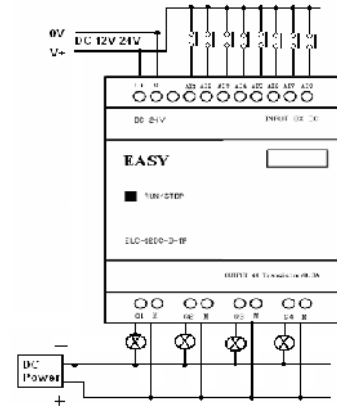
Power supply
 Rated voltage: DC12-24V
 (Output full-load) : Typical 3W
 Main voltage operation range: 10V-28V

Digital input
 Signal 0:DC 0-3V
 Signal 1:DC 8-24V
 Input current: < 1.0mA
 Input current: >1.5mA

High-speed counting: I8 (Max.99k Hz)

Digital output
 Output type: transistor(PNP type) output
 continuous current max value: MAX.0.3A

PWM: 1 channel (Q4)



ELC-12DC-DA-TP

Power supply
 Rated voltage: DC12-24V
 (Output full-load) Typical 3W
 Main voltage operation range: 10V-28V

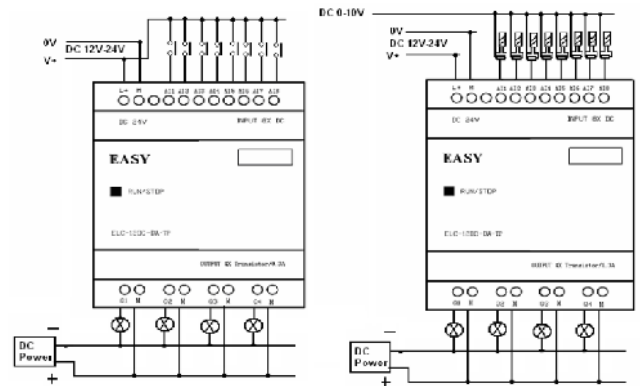
Digital input
 Signal 0:DC 0-3V
 Signal 1:DC 8-24V
 Input current: < 1.0mA
 Input current: >1.5mA

High-speed counting: AI8 (Max.99k Hz)

Analog input
 Signal: DC 0-10V

Digital output
 Output type: transistor(PNP type) output
 continuous current max value: MAX. 0.3A

PWM: 1 channel (Q4)



Consult our website

For the latest updated information

www.isel.com.mx.com